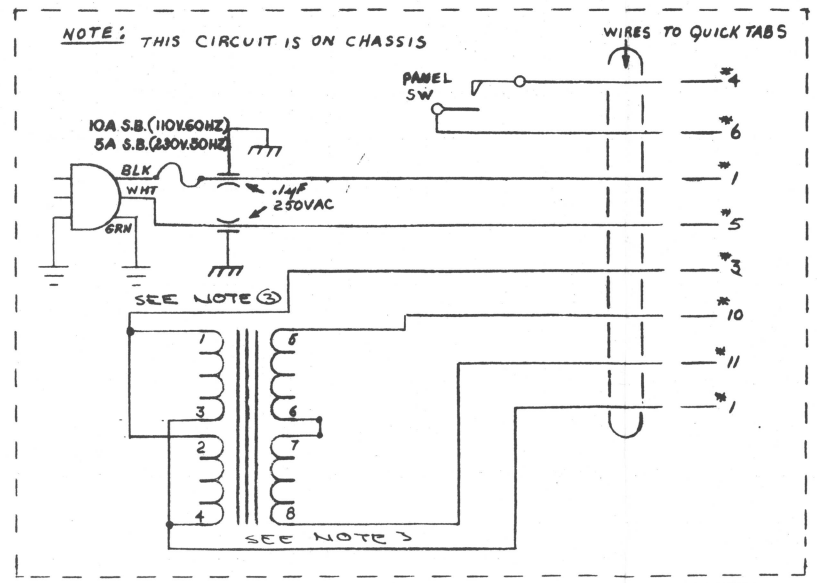
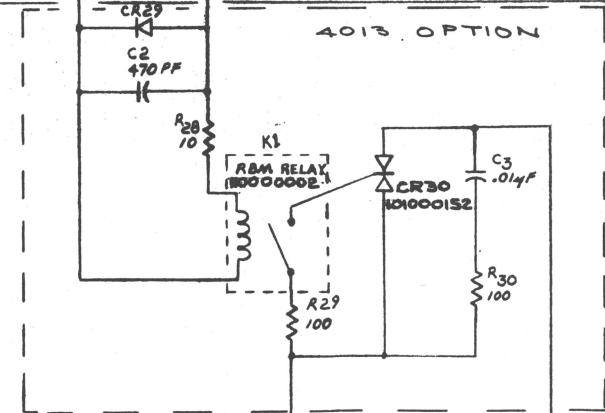
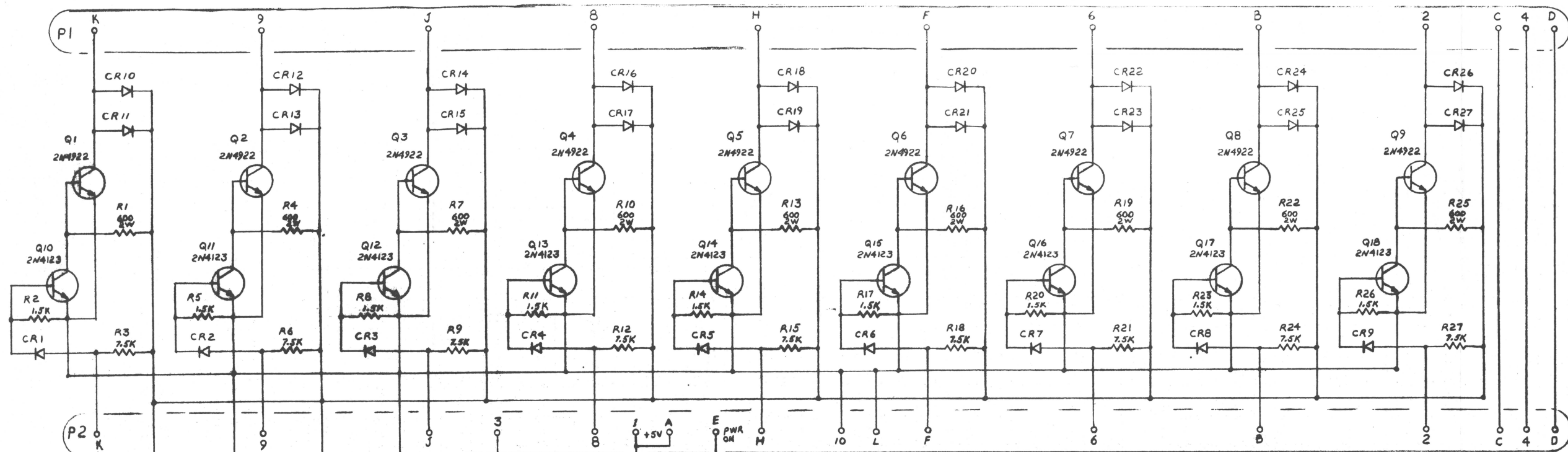


THIS DRAWING AND SPECIFICATIONS, HEREIN, ARE THE PROPERTY OF DATA GENERAL CORPORATION AND SHALL NOT BE REPRODUCED OR COPIED OR USED IN WHOLE OR IN PART AS THE BASIS FOR MANUFACTURE OR SALE OF ITEMS WITHOUT WRITTEN PERMISSION.

REVISIONS				
REV.	DESCRIPTION	DRFTG.	APP BY	DATE
01	ECO # 1891	R.W.C.		3-27-71
02	ECO # 2327	R.W.C.		5-2-71
03	ECO # 2786A	RAS	R.S.	9-29-71
04	ECO # 3033	RAS	UPB	11-2-75



QUICK TABS }
 # 10 AC
 # 11 AC
 TO TRANSFORMER # 5+8

ORN # 7 +30VDC
 # 8 GND
 # 9 TAPE FEED

WHT # 1 AC IN AND TO TF # 3+4
 WHT # 2 MOTOR

WHT # 5 AC IN
 BLK # 6 SW + OPEN

BLK # 3 AND TO TF # 1+2 AND TO MOTOR
 YEL # 4 AND TO MOTOR

NOTE:
 UNLESS OTHERWISE SPECIFIED,
 ① RESISTORS ARE 1/4w 5%
 ② DIODES ARE 101000028.
 ③ 230 OPTION ELIMINATE TIC BETWEEN 1 & 2
 OIL TRANS. 3 & 4
 OIL TRANS. & TIC 2 & 3 TOGETHER

QTY.	DESCRIPTION	PART NO.
1	UNCC	
1	DRAWN	11/10/71
1	CHECKED	
1	ENGINEER	
1	APPROVED	
1	FIRST USED ON	4012A
1	107-000/41-	4013
1	SIZE	D
1	CODE	001
1	DRAWING NUMBER	000199
1	REV	04

UNLESS OTHERWISE SPECIFIED—
 DIMENSIONS ARE IN INCHES
 TOLERANCES ON
 FRACTIONS DECIMALS ANGLES
 .XX .XXX .XXX =
 PARTS TO BE FREE FROM BURRS
 BREAK ALL EDGES 010

UNLESS OTHERWISE SPECIFIED—
 ALL MACH. SURFACES

DATA GENERAL CORPORATION
 SOUTHBORO, MASSACHUSETTS 01772

TITLE
PUNCH INTERFACE
 4013 and 4012A OPTIONS