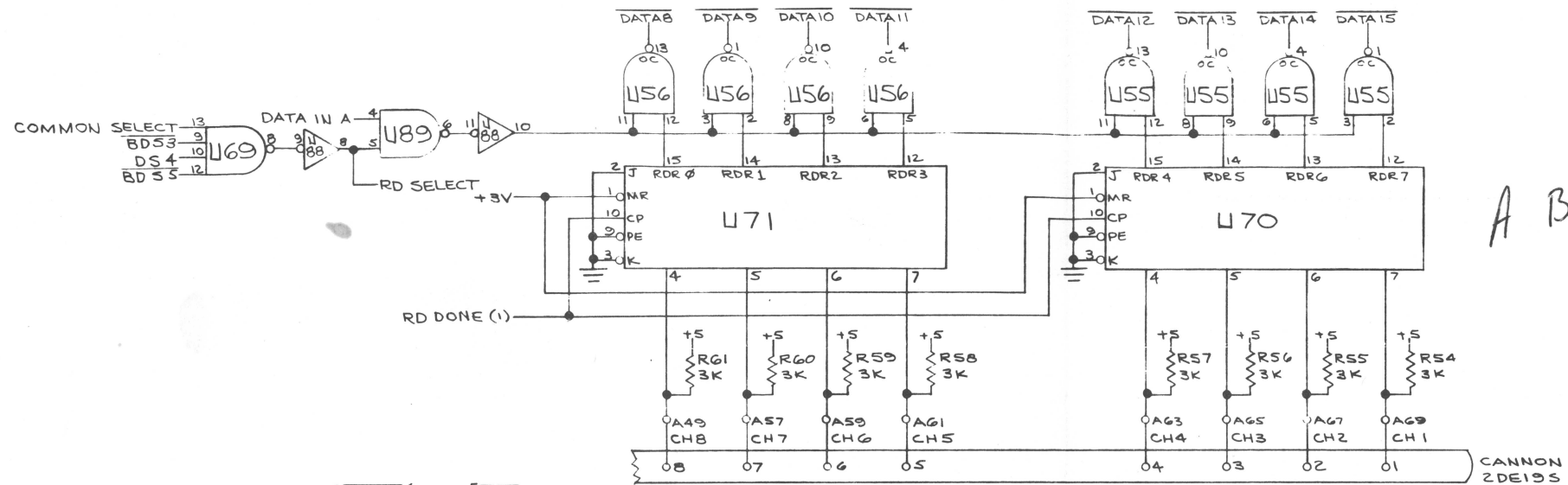
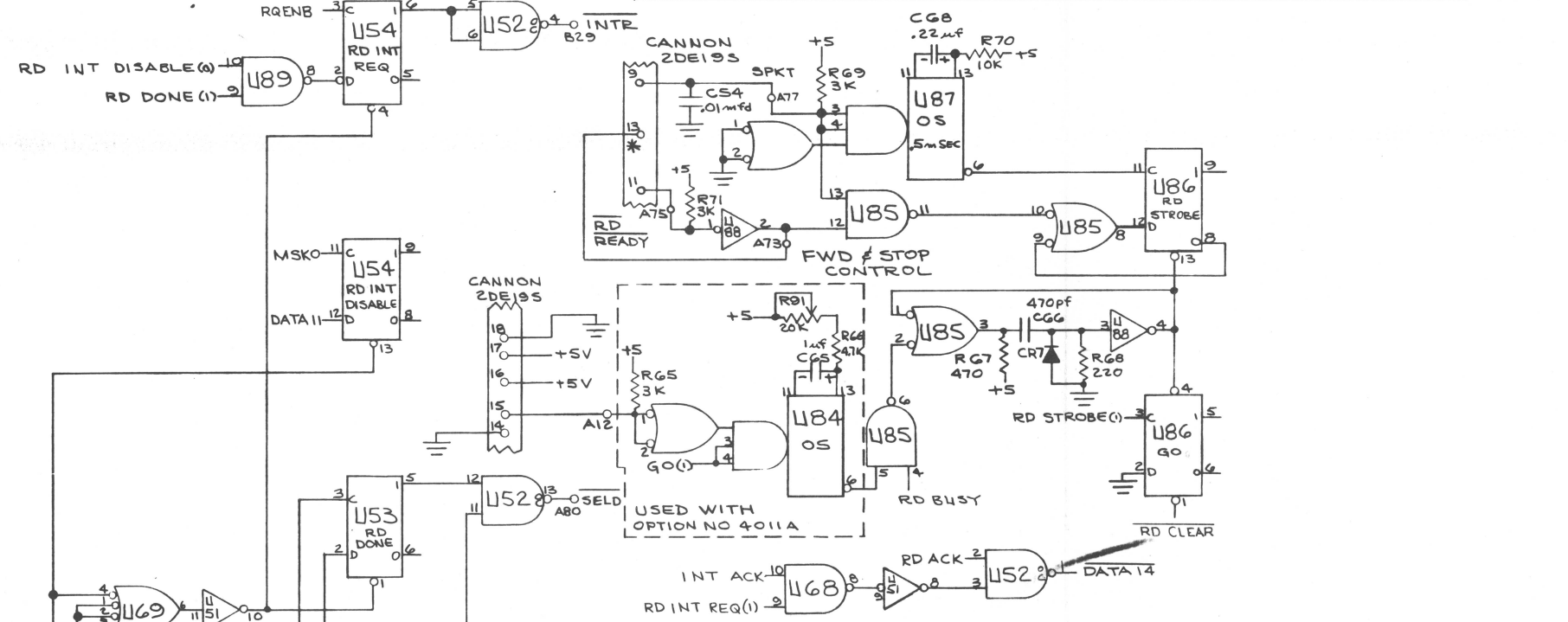


THIS DRAWING AND SPECIFICATIONS HEREIN ARE THE PROPERTY OF DATA GENERAL CORPORATION AND SHALL NOT BE REPRODUCED OR COPIED OR USED IN WHOLE OR IN PART AS THE BASIS FOR MANUFACTURE OR SALE OF ITEMS WITHOUT WRITTEN PERMISSION.

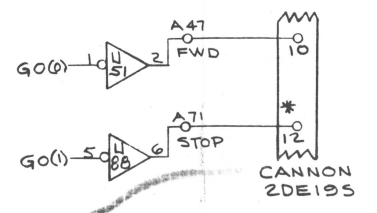
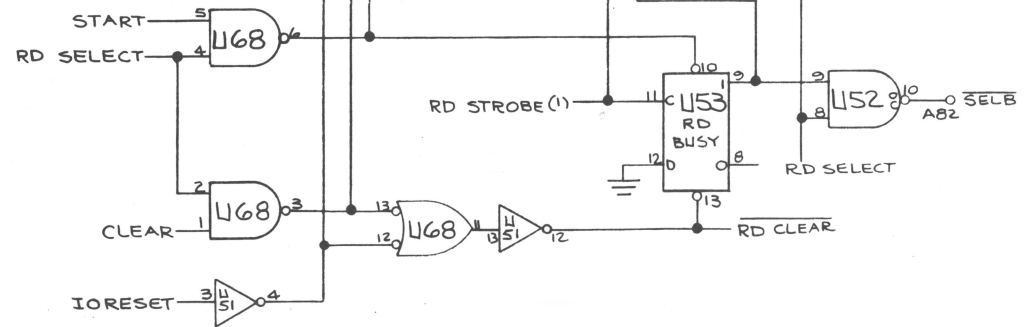
| REVISIONS | | | | |
|------------------|-------------|-------|--------|---------|
| REV | DESCRIPTION | DRFTG | APP BY | DATE |
| 05 | ECO#2465 | EW.C | JW | 4-17-74 |
| WELFAUN NOCHANGE | | | | |



A Buffer



- NOTES:
1. C28, 42, 52, 53, 64, 67, 69 ARE .05 MFD FILTERS AND AS SUCH ARE NOT SHOWN ON THIS DRAWING.
 2. C41 AND C51 ARE 6.8 uf, 35V FILTERS AND AS SUCH ARE NOT SHOWN ON THIS DRAWING.
- *-USED WITH OPTION NO. 4011 B



| QTY | DESCRIPTION | PART NO |
|--|---|---|
| UNLESS OTHERWISE SPECIFIED USE D.G.C. SPECIFICATION 108-000028 FOR TOLERANCES AND WORKMANSHIP REQUIREMENTS | DRAWN R. Schuman 6-20-75 CHECKED M. J. 6-20-75 ENGINEER APPROVED FIRST USED ON 4011 | DATA GENERAL CORPORATION SOUTHBORO, MASSACHUSETTS 01772 TITLE PAPER TAPE READER CONTROL 4011 |
| MATERIAL | | SIZE CODE DRAWING NUMBER REV D 001 000 072 05 |
| FINISH | | SCALE SHEET 1 of 1 SHEET 1 of 1 |