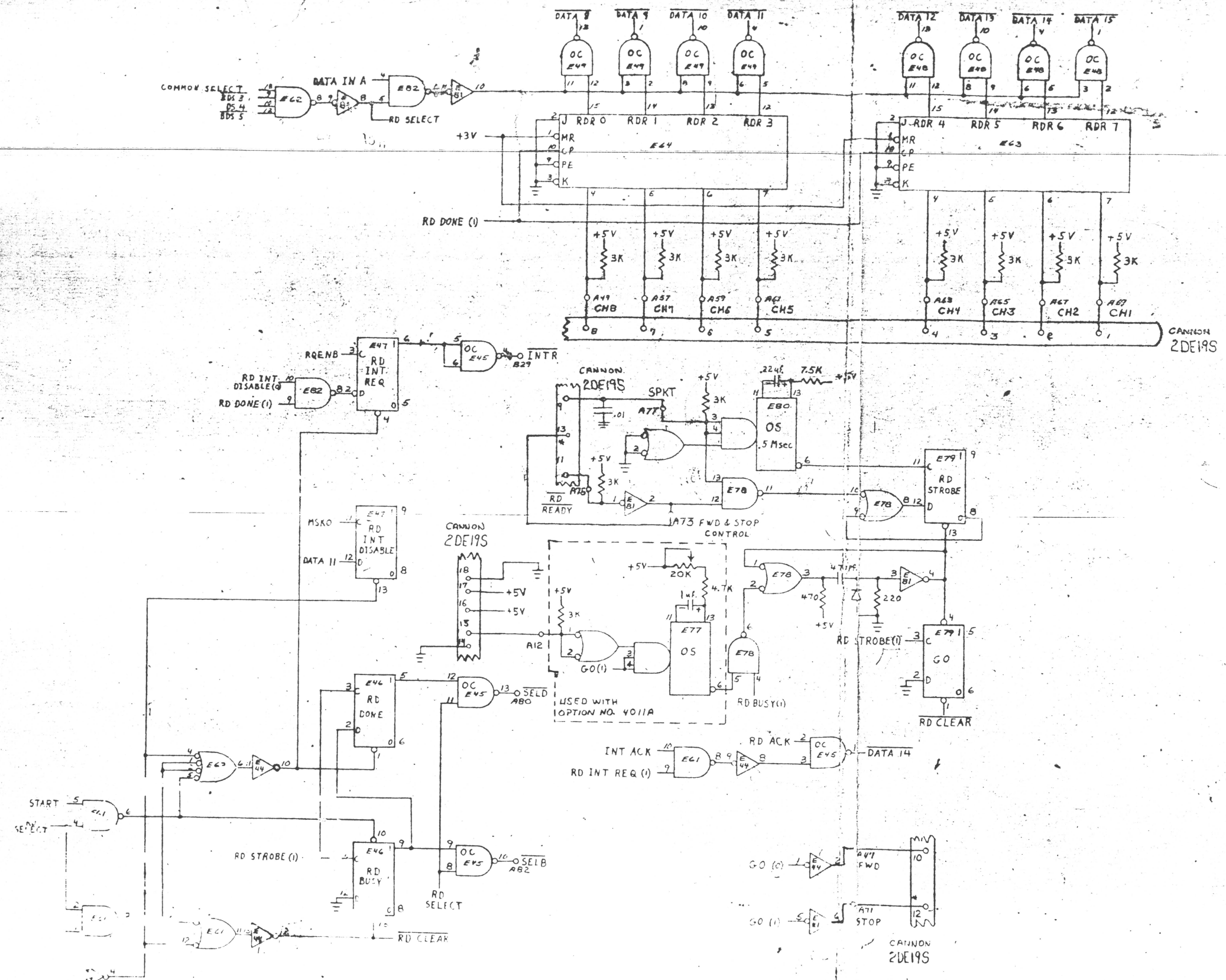


REVISIONS				
REV	DESCRIPTION	DATE	APP BY	DATE

ALL DIMENSIONS AND SPECIFICATIONS HEREIN ARE THE PROPERTY OF DATA GENERAL CORPORATION AND SHALL NOT BE REPRODUCED OR COPIED OR USED IN ANY MANNER AS THE BASIS FOR MANUFACTURE OF EQUIPMENT WITHOUT WRITTEN PERMIT.



NOTE
* USED WITH OPTION NO 4011B

QTY		DESCRIPTION	T NO
DRAWN		DATA GENERAL CORPORATION		
CHECKED		TITLE		
ENGINEER		PAPER TAPE READER		
APPROVED		CONTROL 4011		
FIRST USED ON				
MATERIAL				
FINISH				
SHEET	OF	SIZE	CODE	DRAWING NUMBER
		D	001	000004