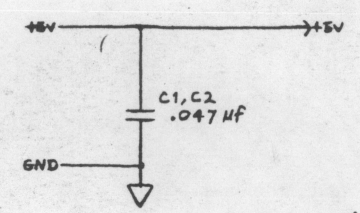
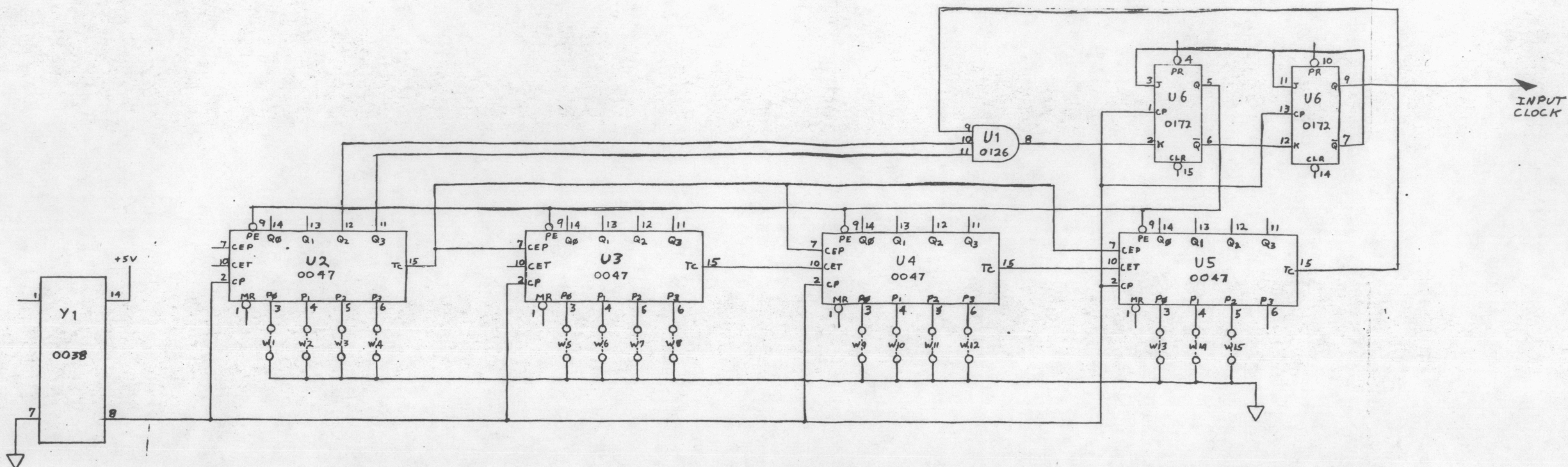


THIS DRAWING AND SPECIFICATIONS HEREIN ARE THE PROPERTY OF DATA GENERAL CORPORATION AND SHALL NOT BE REPRODUCED OR COPIED OR USED IN WHOLE OR IN PART AS THE BASIS FOR MANUFACTURE OR SALE OF ITEMS WITHOUT WRITTEN PERMISSION

REVISIONS				
REV	DESCRIPTION	DRAFTG	APP BY	DATE
00	RELEASED PER ECO-3852			11/17/75



BAUD RATE	INSTALL JUMPERS
75	W8, W10, W13, W15
110	W7, W12, W13, W14
134.5	W5, W6, W7, W8, W9, W11, W12, W14
150	W7, W9, W12, W14
300	W6, W8, W11, W13
600	W5, W7, W10, W12
1200	W4, W6, W9, W11
1800	W5, W6, W7, W9, W10
2400	W3, W5, W8, W10
4800	W2, W4, W7, W9
7200	W3, W4, W5, W7, W8
9600	W1, W3, W6, W8

ARTWORK: 107000572		UNLESS OTHERWISE SPECIFIED USE D.G.C. SPECIFICATION 108-000028 FOR TOLERANCES AND WORKMANSHIP REQUIREMENTS		QTY	DESCRIPTION	PART NO
REV	SCHEMATIC REV(S)	DRAWN	W.A. Powers	20	SEPT 75	DATA GENERAL CORPORATION SOUTH BORD, MASSACHUSETTS 01772
01	00	CHECKED	R.S.J.	10	SEP 75	
		ENGINEER	W.A. Powers	20	SEP 75	TITLE BASIC I/O BOARD JUMPER SELECTABLE TTY CLOCK
		APPROVED	[Signature]	10	SEP 75	
		MATERIAL		FIRST USED ON		DRAWING NUMBER 001 000890
		FINISH		4010		
		SCALE		SIZE	CODE	REV
				D		00