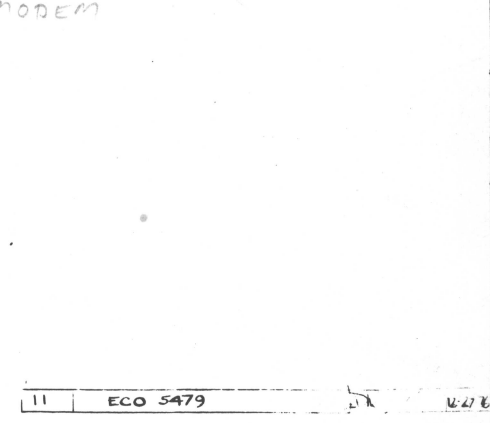
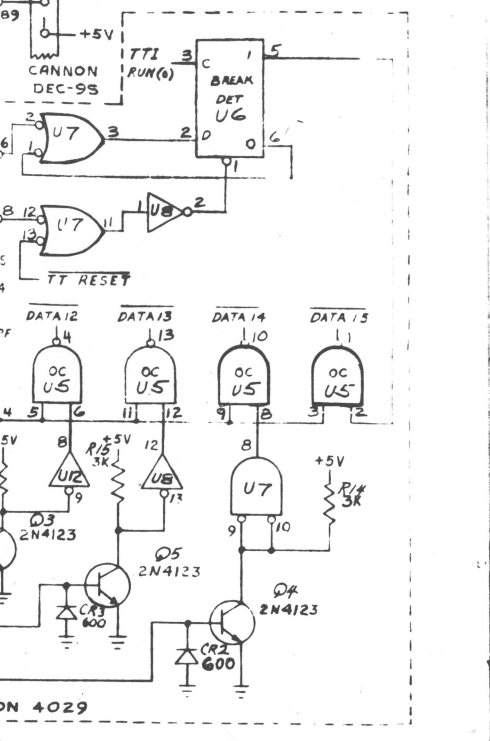


REVISIONS			
REV	DESCRIPTION	DRAFT	APP BY DATE
10	ECO # 3855	TJK	5-7-76
09	ECO # 3569	RRS	6-16-76
08	ECO # 2460	R.N.C.	5-7-76
REV	DESCRIPTION	DRAFT	APP BY DATE



QTY	DESCRIPTION	PART NO
10	ECO # 3855	TJK
09	ECO # 3569	RRS
08	ECO # 2460	R.N.C.
REV	DESCRIPTION	DRAFT APP BY DATE

DATA GENERAL CORPORATION			
TITLE			
TELETYPE CONTROL			
FIRST USED ON		DRAWING NUMBER	
40104023		4029	
SHEET OF		SIZE	CODE
2		D	001
FINISH		REV	
		11	

NOTE 1: REMOVE 470Ω 2W RES (R50) WHEN INSTALLING 4023 OPTION.

NOTE 2: REMOVE C39 (1MΩ) IF LINE IS 1200 BAUD RATE OR GREATER.

NOTE 3: REMOVE W7 (JUMPER) IF 4023 OPTION IS INSTALLED.

NOTE 4: FOR USE WITH MOD 37 TTY MOVE W9 JUMPER TO WB POSITION.

NOTE: CAPACITORS C16, C17, C18, C19, C21, C22, C23, C24, C32, C34, C35, C36, C38 ARE .05 MFD. CAPACITORS C20, C25, C40 ARE 6.8 MFD. THESE CAPACITORS ARE USED AS FILTERS AND AS SUCH ARE NOT SHOWN.

*CRYSTAL FREQUENCY OF Y2 DEPENDS ON BAUD RATE SPECIFIED BY THE CUSTOMER. (FREQ Y2 = 128 * BAUD RATE)