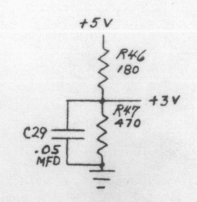
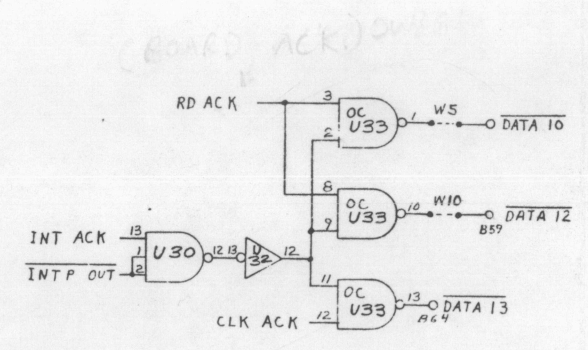
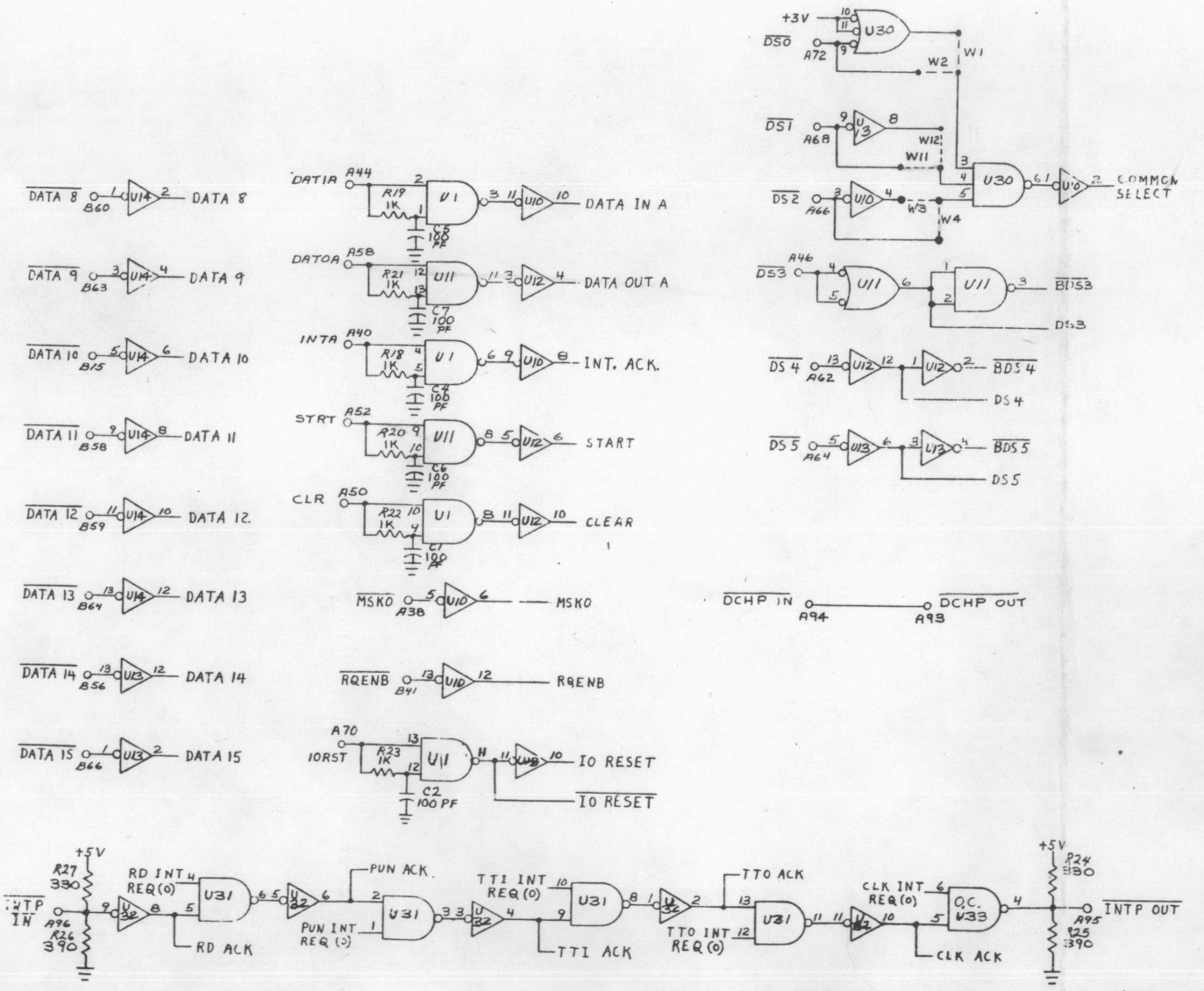


THIS DRAWING AND SPECIFICATIONS HEREIN ARE THE PROPERTY OF DATA GENERAL CORPORATION AND SHALL NOT BE REPRODUCED OR COPIED OR USED IN WHOLE OR IN PART AS THE BASIS FOR MANUFACTURE OR SALE OF ITEMS WITHOUT WRITTEN PERMISSION.

REVISIONS				
REV	DESCRIPTION	DRFTG	APP BY	DATE
01	ADD W1'S	RNK		10-10-70
02	ADD W1; & W1P	RNK		7-6-71

DEV 10,11  
DEV 50,51



NOTE: CAPACITORS C4, C5, C27, C30 ARE .05 MFD. CAPACITORS C13, C26 ARE 0.8 MFD. THESE CAPACITORS ARE USED AS FILTERS AND AS SUCH ARE NOT SHOWN ON THIS DRAWING.

QTY	DESCRIPTION	PART NO
	DRAWN	
	CHECKED	
	ENGINEER	
	APPROVED	
	FIRST USED ON	
	MATERIAL	
	FINISH	

DATA GENERAL CORPORATION			
TITLE			
IC BUS RECEIVERS & COMMON SELECT			
SIZE	CODE	DRAWING NUMBER	REV
D	101	000070	02