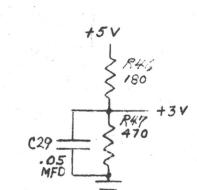
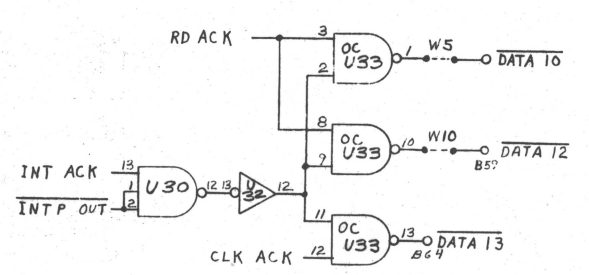
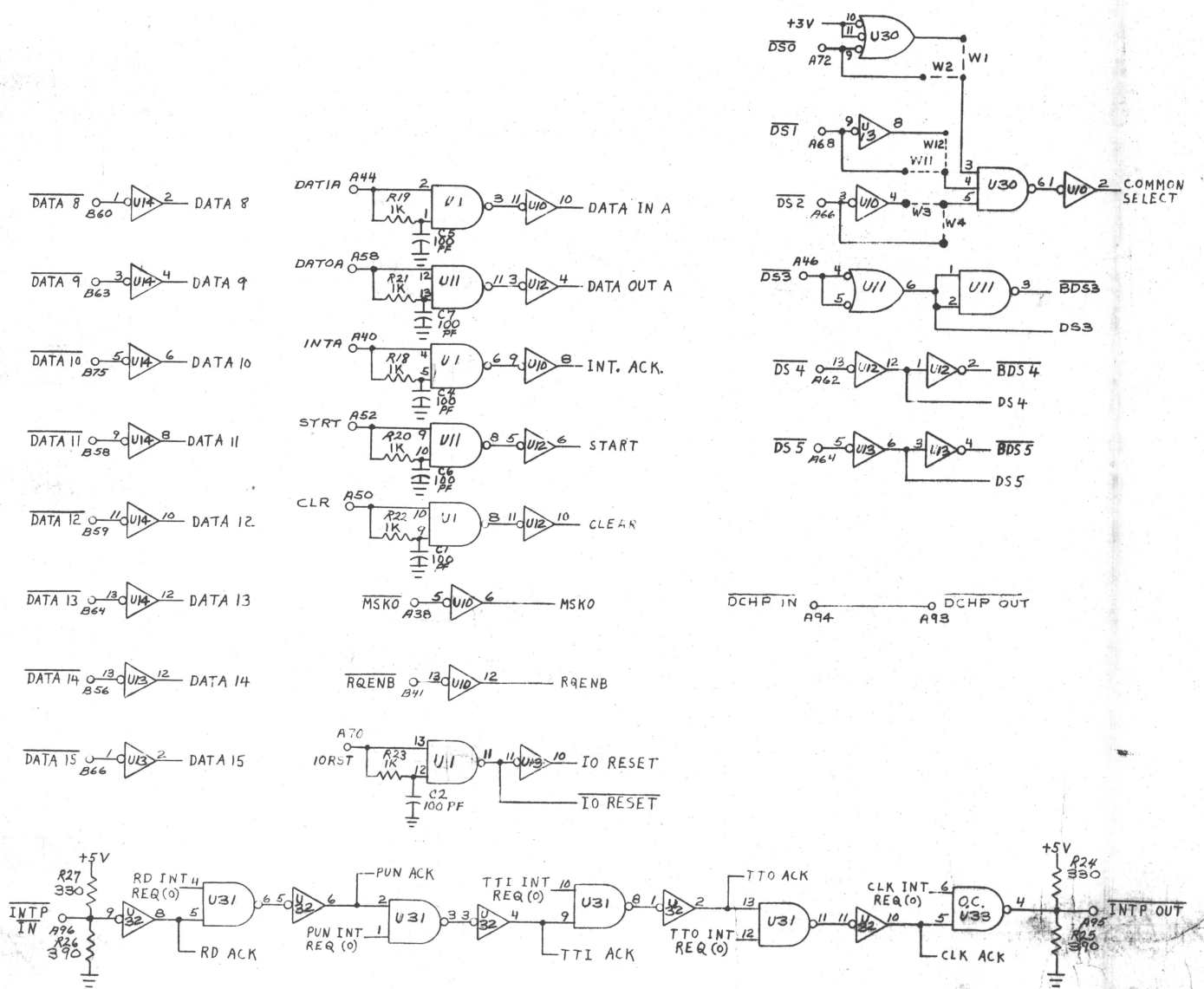


THIS DRAWING AND SPECIFICATIONS, HEREIN, ARE THE PROPERTY OF DATA GENERAL CORPORATION AND SHALL NOT BE REPRODUCED OR COPIED OR USED IN WHOLE OR IN PART AS THE BASIS FOR MANUFACTURE OR SALE OF ITEMS WITHOUT WRITTEN PERMISSION.

REVISIONS					
ECO	REV.	DESCRIPTION	DRFTG.	APP. BY	DATE
074	02	ADD W10	RNK		10-12-70
345	03	ADD W11 & W12	RNK		7-6-71



NOTE: CAPACITORS C4, C5, C27, C30 ARE .05 MFD. CAPACITORS C13, C14 ARE 6.8 MFD. THESE CAPACITORS ARE USED AS FILTERS AND AS SUCH ARE NOT SHOWN ON THIS DRAWING

QTY.		DESCRIPTION	PART NO.
DRAWN			
CHECKED			
ENGINEER			
APPROVED			
FIRST USED ON			
MATERIAL			
FINISH			
SHEET	OF	SIZE	CODE
		D	001
		DRAWING NUMBER	REV
		000070	03

**DATA GENERAL CORPORATION**  
 TITLE  
**IO BUS RECEIVERS & COMMON SELECT**