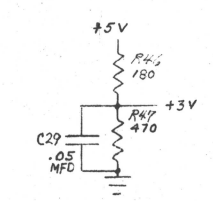
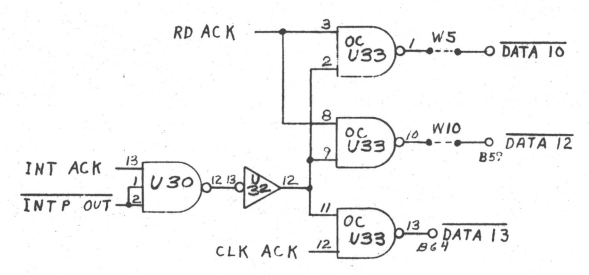
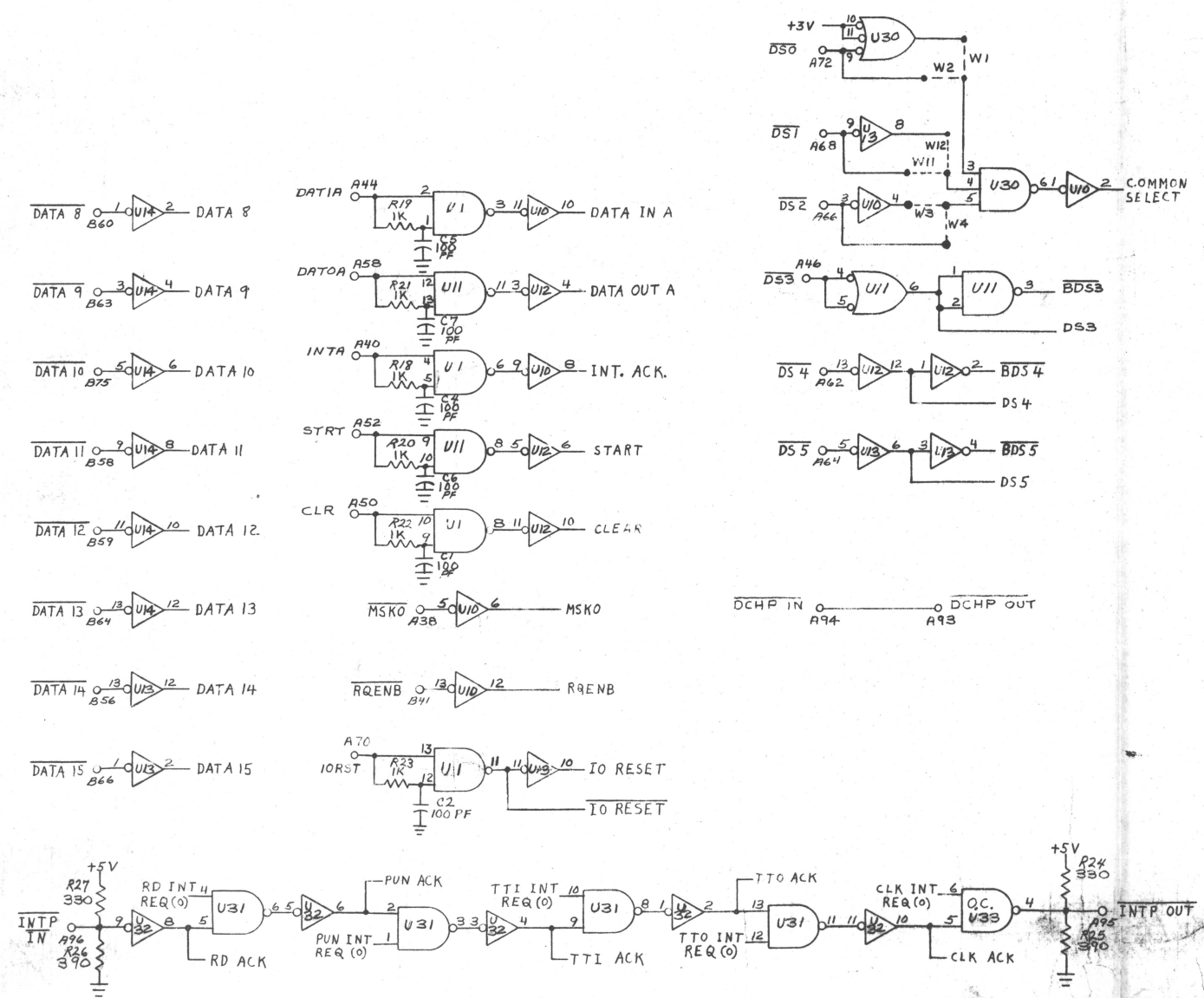


THIS DRAWING AND SPECIFICATIONS, HEREIN, ARE THE PROPERTY OF DATA GENERAL CORPORATION AND SHALL NOT BE REPRODUCED OR COPIED OR USED IN WHOLE OR IN PART AS THE BASIS FOR MANUFACTURE OR SALE OF ITEMS WITHOUT WRITTEN PERMISSION.

| REVISIONS | | | | | |
|-----------|------|---------------|--------|---------|----------|
| ECO | REV. | DESCRIPTION | DRFTG. | APP. BY | DATE |
| 074 | 02 | ADD W10 | RNK | | 10-12-70 |
| 345 | 03 | ADD W11 & W12 | RNK | | 7-6-71 |



NOTE: CAPACITORS C14, C15, C27, C30 ARE .05 MFD. CAPACITORS C13, C26 ARE 6.8 MFD. THESE CAPACITORS ARE USED AS FILTERS AND AS SUCH ARE NOT SHOWN ON THIS DRAWING

| QTY. | DESCRIPTION | PART NO. |
|------|---------------|----------|
| | DRAWN | |
| | CHECKED | |
| | ENGINEER | |
| | APPROVED | |
| | FIRST USED ON | |
| | MATERIAL | |
| | FINISH | |
| | SHEET OF | |

| | | | |
|---|------|----------------------------------|------|
| UNLESS OTHERWISE SPECIFIED—DIMENSIONS ARE IN INCHES TOLERANCES ON FRACTIONS DECIMALS ANGLES .XX ± .XXX ± .010 | | | |
| PARTS TO BE FREE FROM BURRS BREAK ALL EDGES .010 | | | |
| UNLESS OTHERWISE SPECIFIED—ALL MACH. SURFACES | | | |
| DRAWN | | DATA GENERAL CORPORATION | |
| CHECKED | | TITLE | |
| ENGINEER | | IO BUS RECEIVERS & COMMON SELECT | |
| APPROVED | | DRAWING NUMBER | |
| FIRST USED ON | | REV. | |
| SIZE | CODE | DRAWING NUMBER | REV. |
| D | 001 | 000070 | 03 |