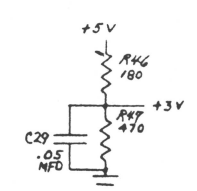
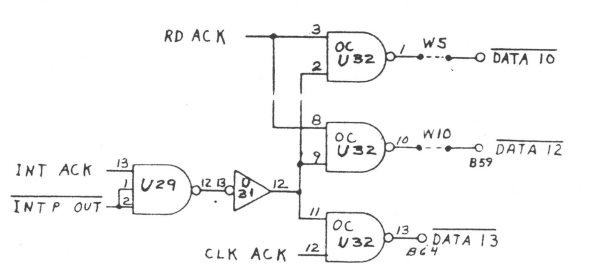
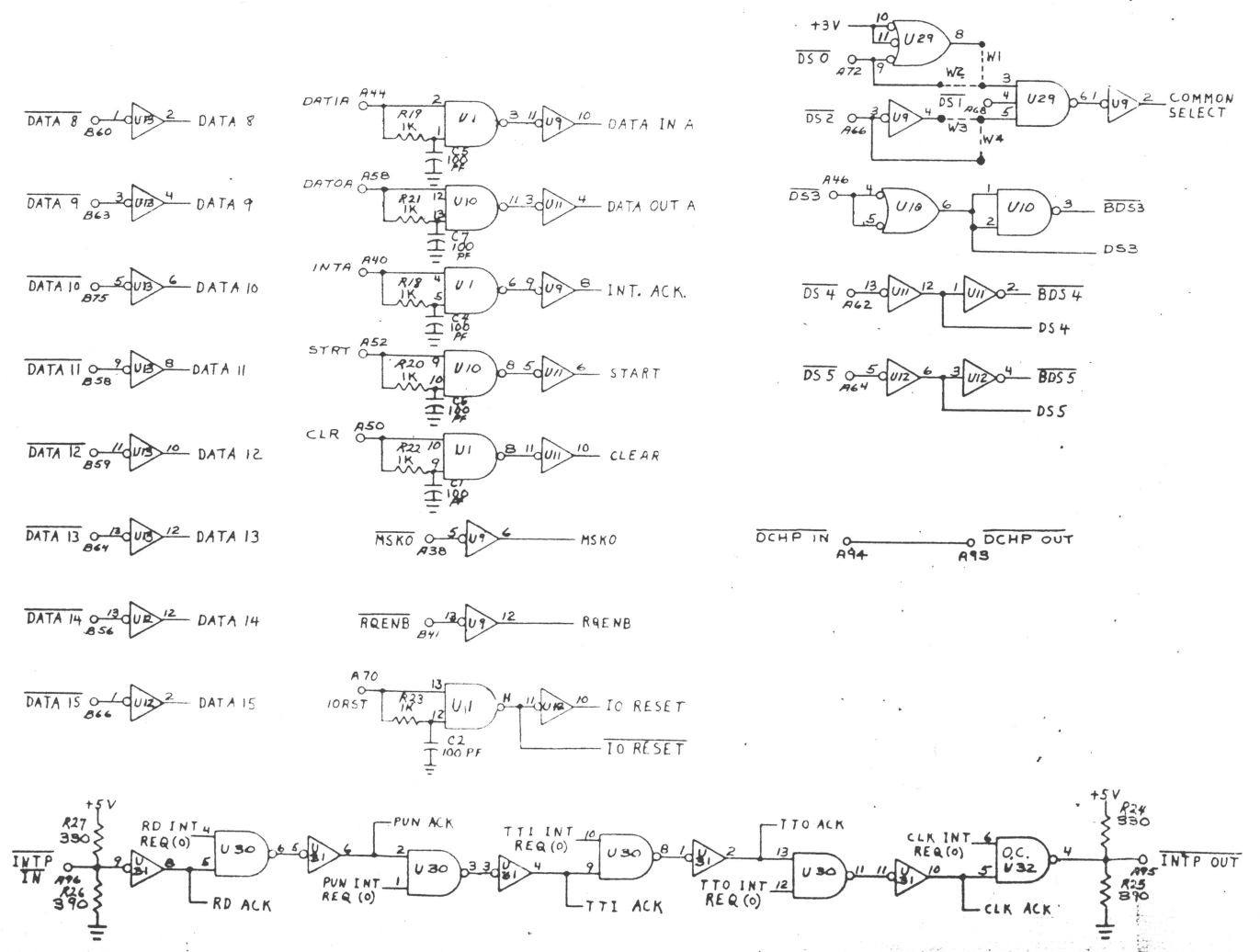


THIS DRAWING AND SPECIFICATIONS, HEREIN, ARE THE PROPERTY OF DATA GENERAL CORPORATION AND SHALL NOT BE REPRODUCED OR COPIED OR USED IN WHOLE OR IN PART AS THE BASIS FOR MANUFACTURE OR SALE OF ITEMS WITHOUT WRITTEN PERMISSION.

REVISIONS					
ECO	REV.	DESCRIPTION	DRFTG.	APP. BY	DATE
074	02	ADD W10	RNK		10-12-70



NOTE: CAPACITORS C4, C15, C17, C30 ARE .05 MFD. CAPACITORS C13, C16 ARE 6.8 MFD. THESE CAPACITORS ARE LISTED AS FILTERS AND AS SUCH ARE NOT SHOWN ON THIS DRAWING.

QTY.		DESCRIPTION		PART NO.	
DRAWN		DATA GENERAL CORPORATION TITLE IO BUS RECEIVERS & COMMON SELECT			
CHECKED					
ENGINEER					
APPROVED					
MATERIAL		FIRST USED ON		SIZE CODE	
FINISH		SHEET OF		DRAWING NUMBER	
				001 000070	
				REV. 02	